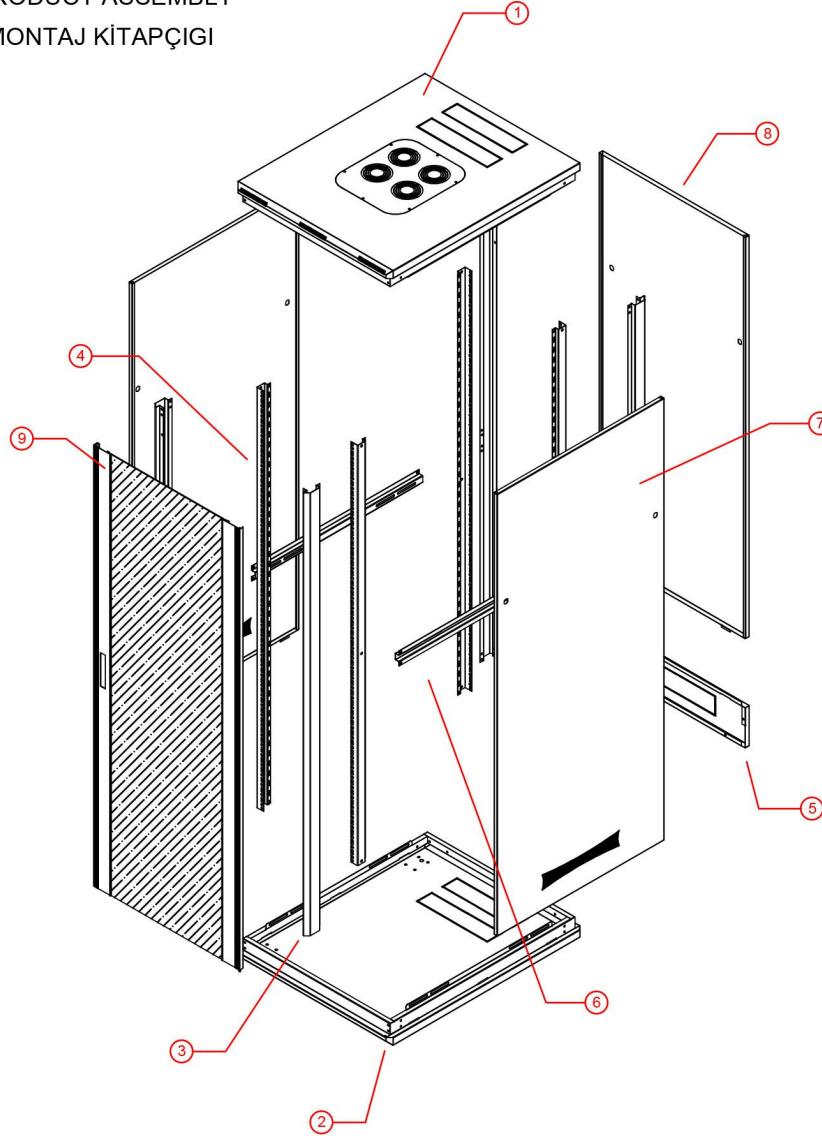


Efficient & Server-X Serisi Dikili Tip

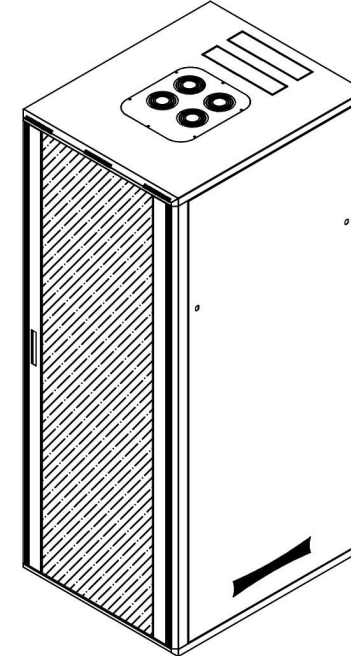
600x600 & 600x800 Rack Kabin Montaj Kılavuzu ve Talimatları

(Efficient & Server-X Series Free Standing 600x600 & 600x800 Rack Cabinet Installation Guide and Instructions)

PRODUCT ASSEMBLY
MONTAJ KİTAPÇIĞI

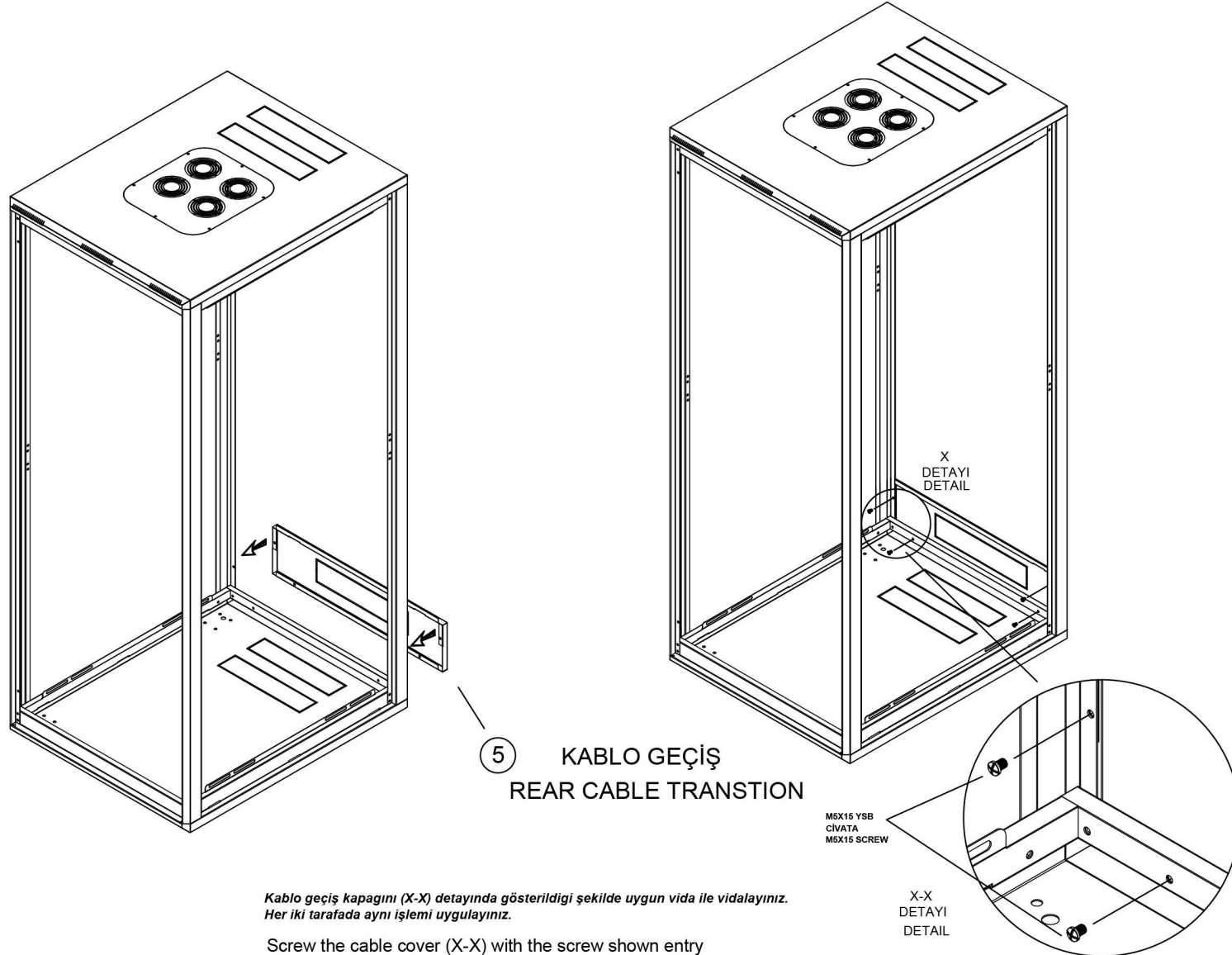


- ① ÜST TAVAN-UPPER CEILING
- ② ALT TABAN-LOWER BASE
- ③ BOY DİKME-VERTICAL POLE
- ④ RACK DİKME-RACK VERTICAL POLE
- ⑤ KABLO GEÇİŞ-REAR CABLE TRANSITION
- ⑥ YAN DERİNLİK ATKI-SIDE DEPTH WEFT
- ⑦ YAN KAPAK-SIDE COVER
- ⑧ ARKA KAPAK-REAR COVER
- ⑨ CAMLI ÖN KAPAK-GLASS FRONT DOOR
&
PERFORE ÖN KAPAK PERFORED
&
FRONT DOOR



Efficient & Server-X Serisi Dikili Tip 600x600 & 600x800 Rack Kabin Montaj Kılavuzu ve Talimatları

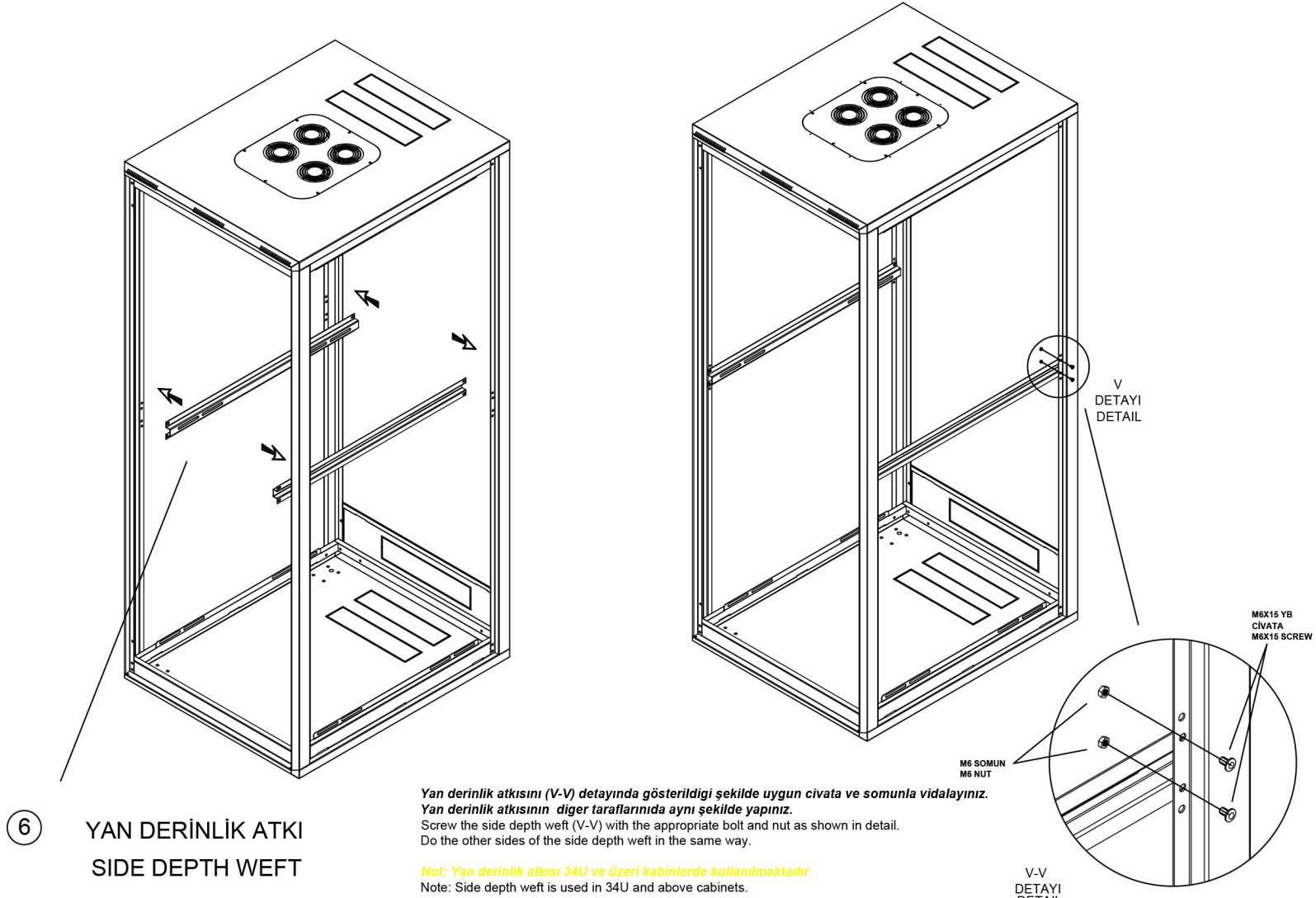
(Efficient & Server-X Series Free Standing 600x600 & 600x800 Rack Cabinet Installation Guide and Instructions)



Efficient & Server-X Serisi Dikili Tip

600x600 & 600x800 Rack Kabin Montaj Kılavuzu ve Talimatları

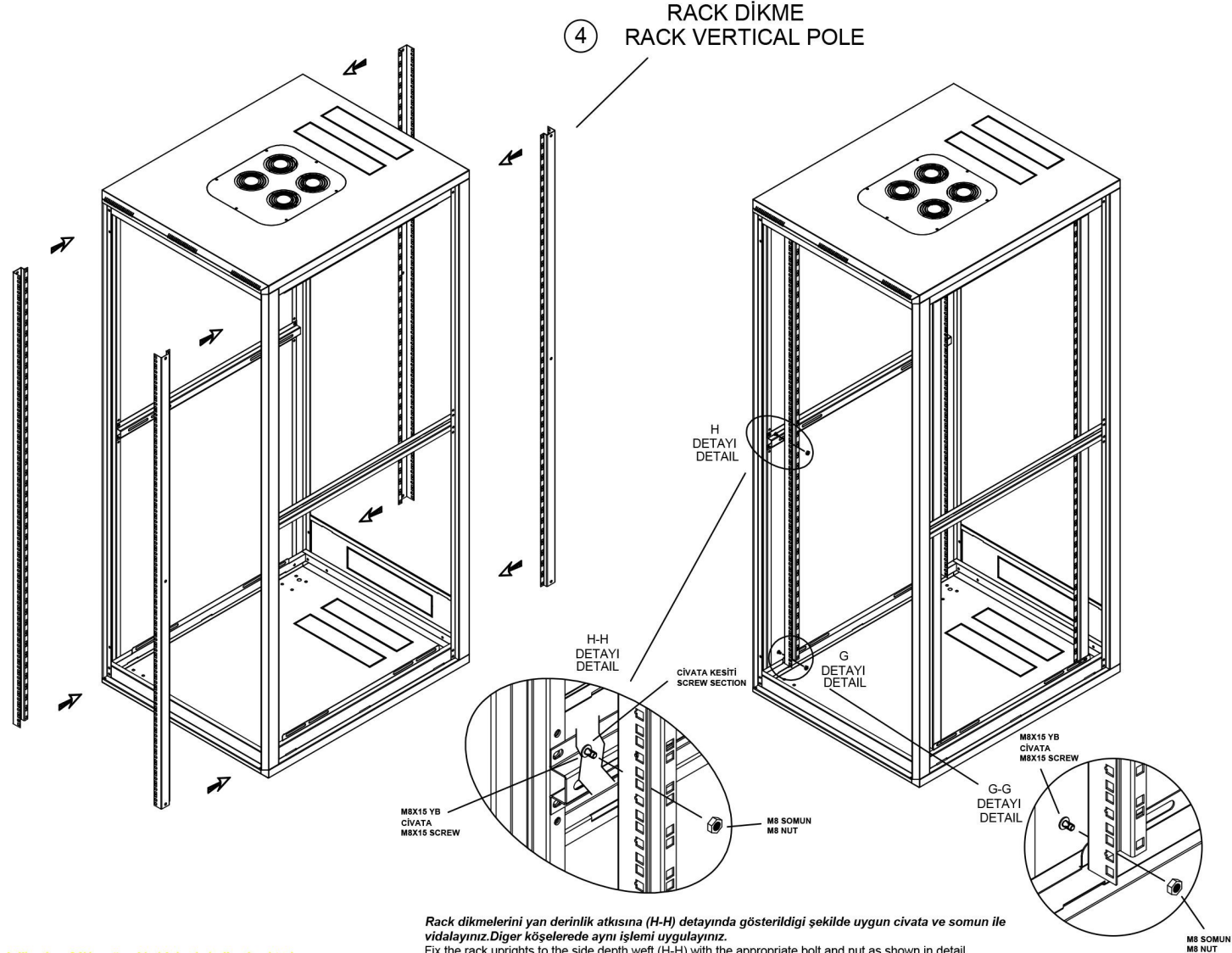
(Efficient & Server-X Series Free Standing 600x600 & 600x800 Rack Cabinet Installation Guide and Instructions)



Efficient & Server-X Serisi Dikili Tip

600x600 & 600x800 Rack Kabin Montaj Kılavuzu ve Talimatları

(Efficient & Server-X Series Free Standing 600x600 & 600x800 Rack Cabinet Installation Guide and Instructions)

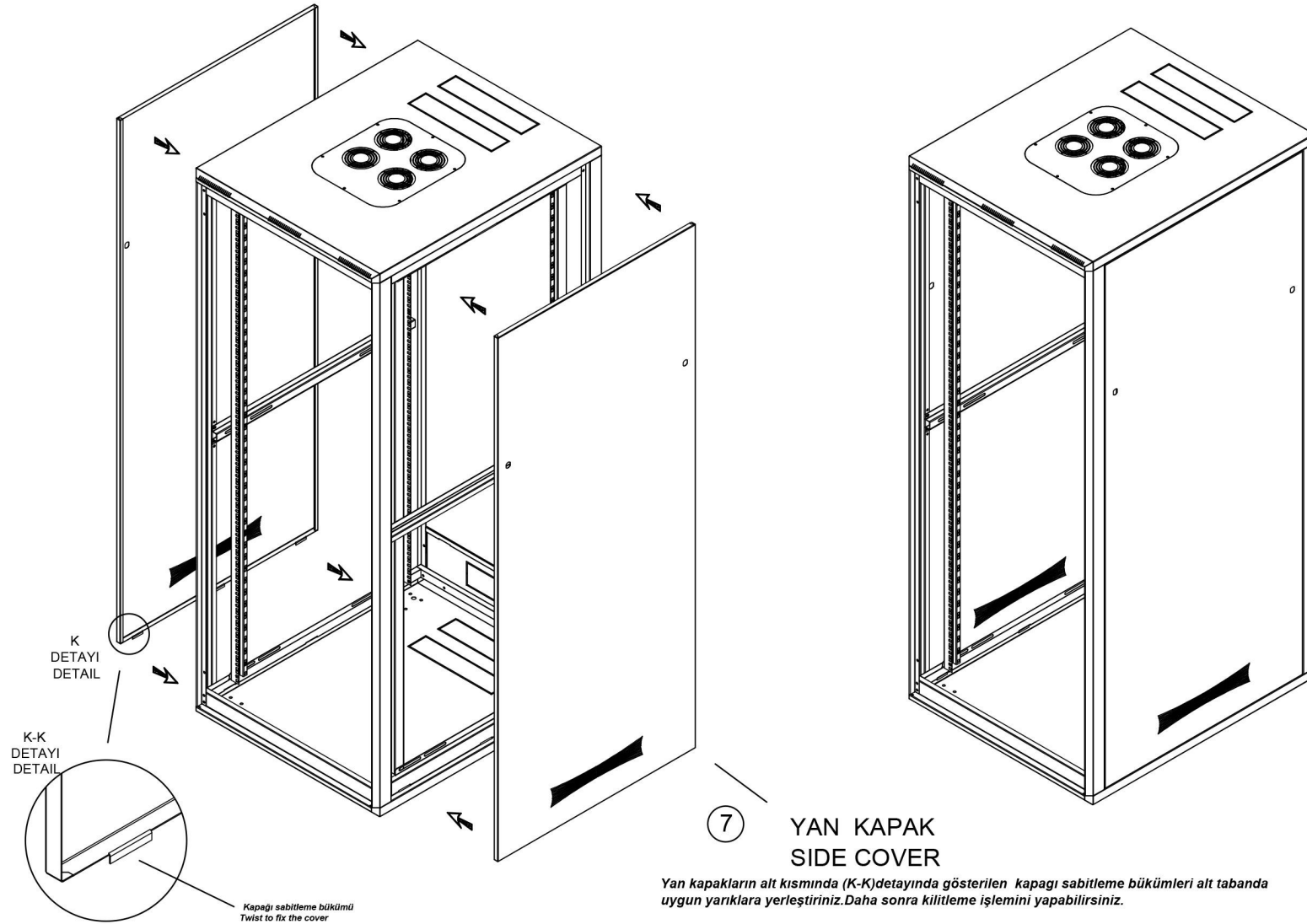


Not: Yan derinlik atkısı 34U ve üzeri kabinlerde kullanılmaktadır.
Note: Side depth weft is used in 34U and above cabinets.

Rack dikmelerini (G-G) detayında gösterildiği şekilde uygun civata ve somun ile alt taban ve üst tavana vidalayınız. Diğer köşelerde aynı işlemi uygulayınız.
Screw the rack uprights (G-G) to the lower floor and upper ceiling with the appropriate bolt and nut as shown in detail. Do the same for the other corners.

Efficient & Server-X Serisi Dikili Tip 600x600 & 600x800 Rack Kabin Montaj Kılavuzu ve Talimatları

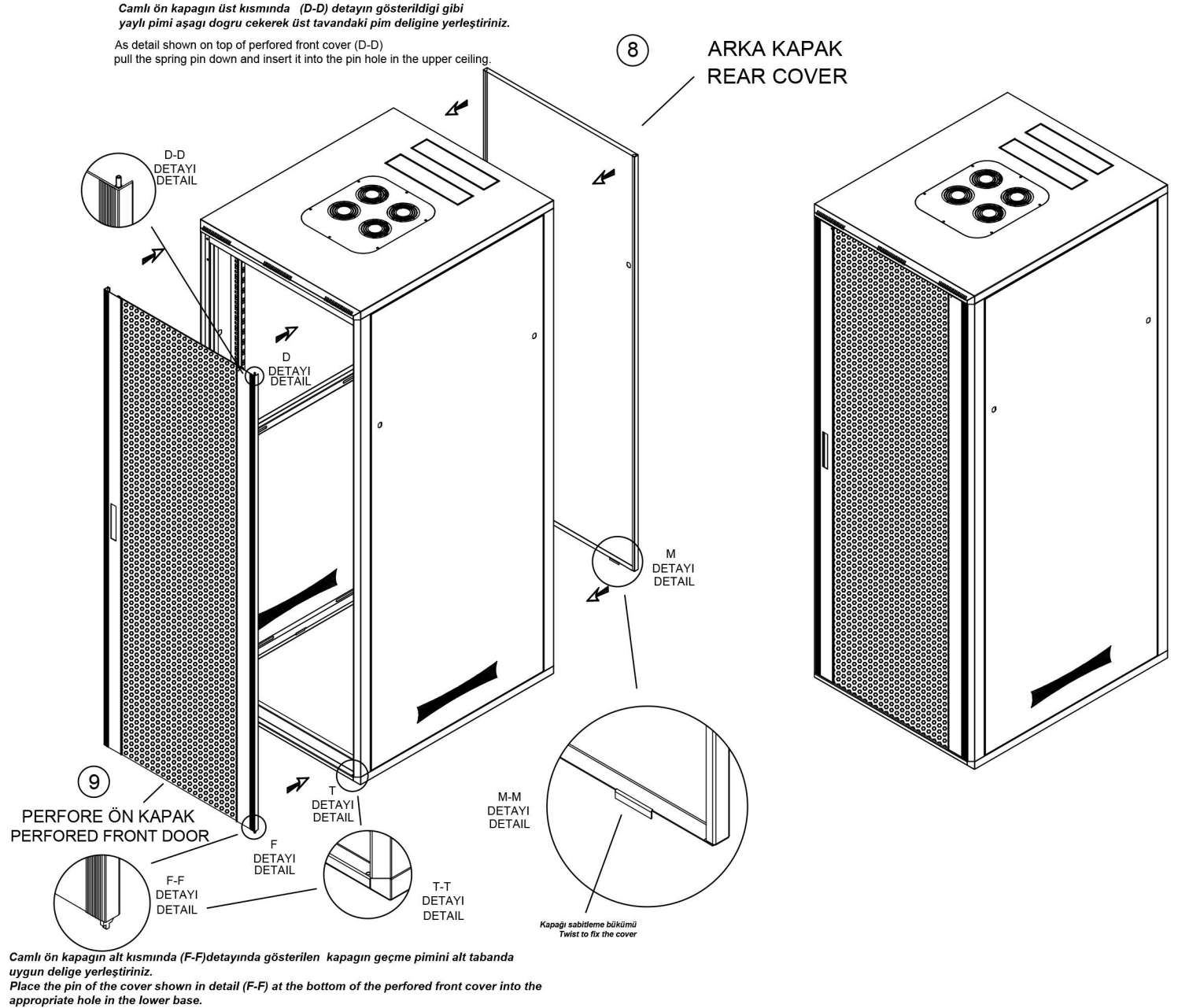
(Efficient & Server-X Series Free Standing 600x600 & 600x800 Rack Cabinet Installation Guide and Instructions)



Efficient & Server-X Serisi Dikili Tip

600x600 & 600x800 Rack Kabin Montaj Kılavuzu ve Talimatları

(Efficient & Server-X Series Free Standing 600x600 & 600x800 Rack Cabinet Installation Guide and Instructions)



Efficient & Server-X Serisi Dikili Tip

600x600 & 600x800 Rack Kabin Dahili Donanım Malzemeleri

(Efficient & Server-X Series Free Standing 600x600 & 600x800 Rack Cabinet Internal Hardware Materials)

<p>40x M6x15 Mantar Başlı Kanal Civata (40x M6x15 Mushroom Head Bolt)</p> 	<p>40x M6 Altıköşe Flanşlı Somun (40x M6 Hexagon Flange Nut)</p> 	<p>12x M8x15 Mantar Başlı Kanal Civata (12x M8x15 Mushroom Head Bolt)</p> 	<p>12x M8 Altıköşe Flanşlı Somun (12x M8 Hexagon Flange Nut)</p> 	<p>4x M5 Mercimek Başlı Ysb Vida (4x M5 Lenti Head Ysb Screw)</p> 
<p>1x Ön Kapı Kilidi Anahtarı (1x Front Door Lock Key)</p> 	<p>1x Kapı Kilit Arkası Rozeti (1x Door Lock Back Badge)</p> 	<p>6x Yan ve Arka Kapak Kilidi (6x Side and Back Cover Locks)</p> 	<p>12x Kapı Kilit Anahtarları (12x Door Lock switches)</p> 	

Montaj için Gerekli Aletler

(Tools Required For Assembly)

<p>1x Yıldız Tornavida (1x Phillips screwdriver)</p> <p>Amatör Seviye (Amateur Level)</p> 	<p>1x Pense (1x Pliers)</p> <p>Amatör Seviye (Amateur Level)</p> 	<p>1x Şarjlı Matkap (1x Cordless Drill)</p> <p>Profesyonel Seviye (Professional Level)</p> 						
--	---	---	--	--	--	--	--	--