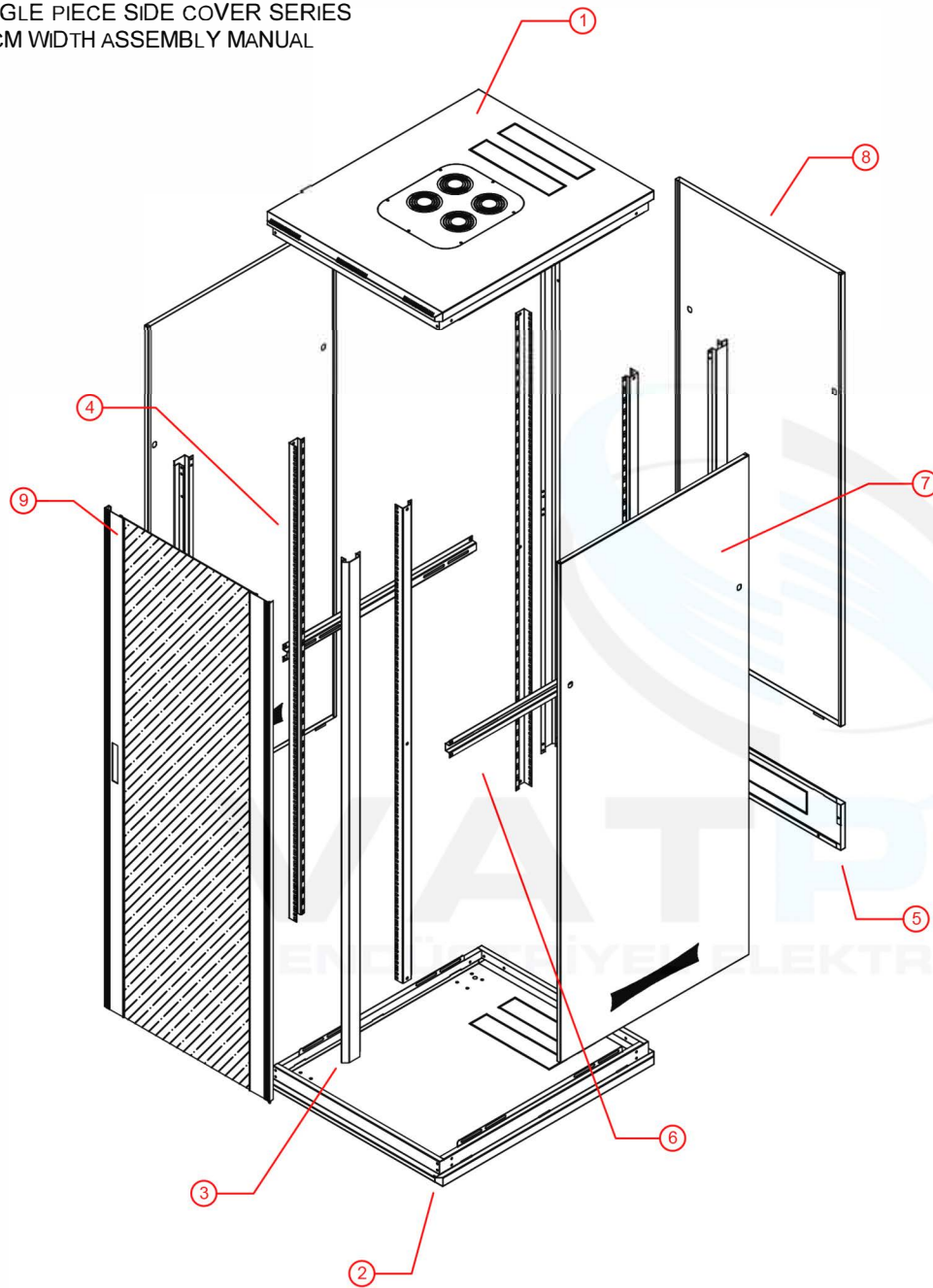
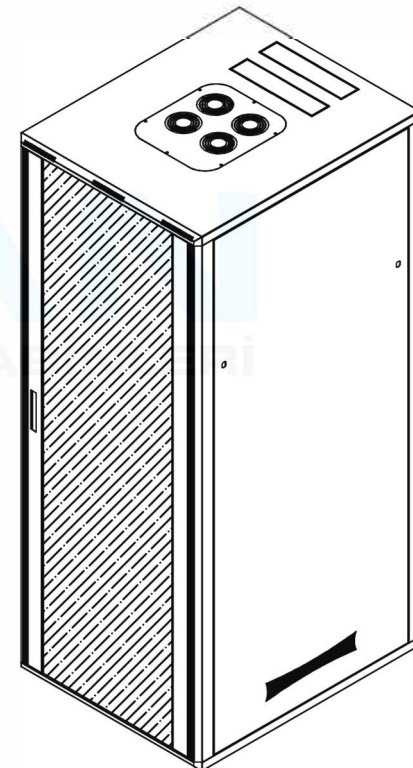


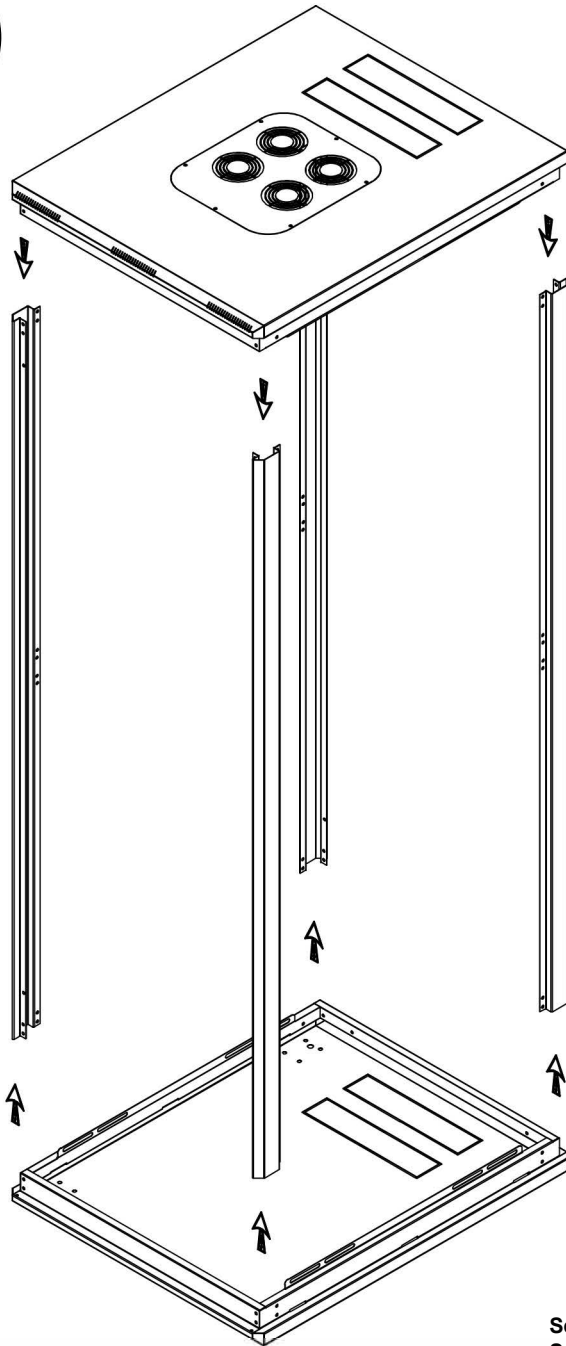
SINGLE PIECE SIDE COVER SERIES  
60CM WIDTH ASSEMBLY MANUAL



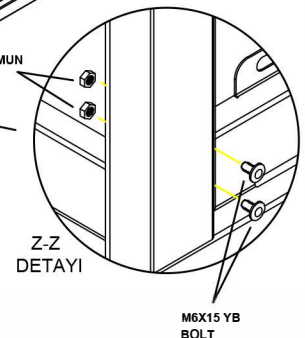
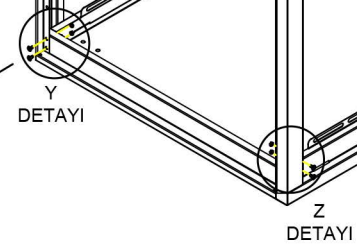
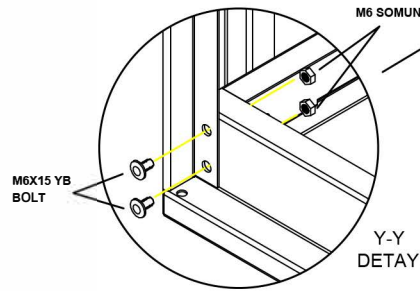
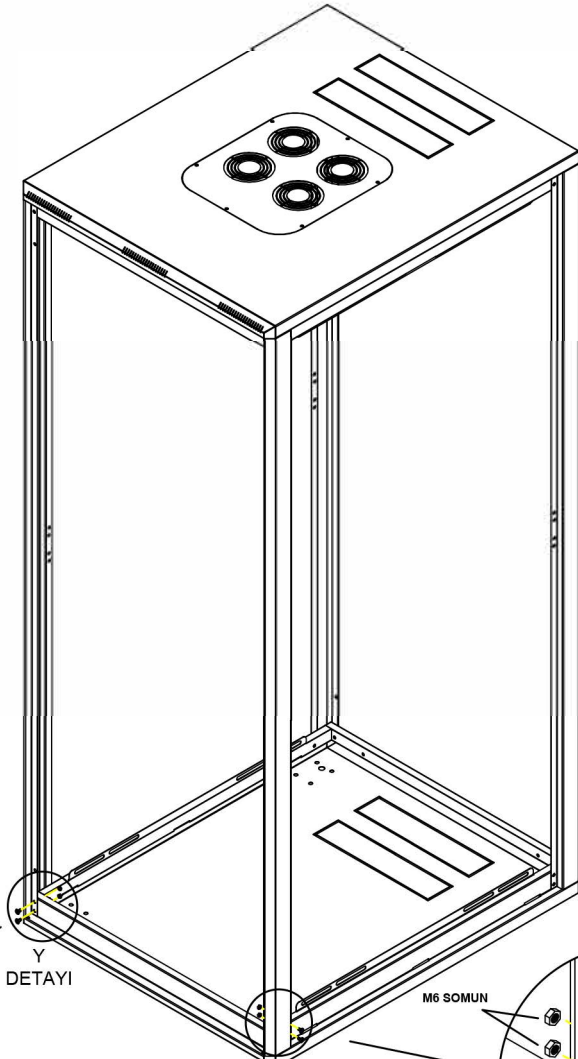
- ① UPPER CEILING
- ② LOWER BASE
- ③ LENGHT PERPENDICULAR
- ④ RACK PERPENDICULAR
- ⑤ CABLE TRANSITION
- ⑥ SIDE DEPTH WEFTI
- ⑦ SIDE COVER
- ⑧ BACK COVER
- ⑨ GLASS OR PERFOREDFRONT DOOR



1



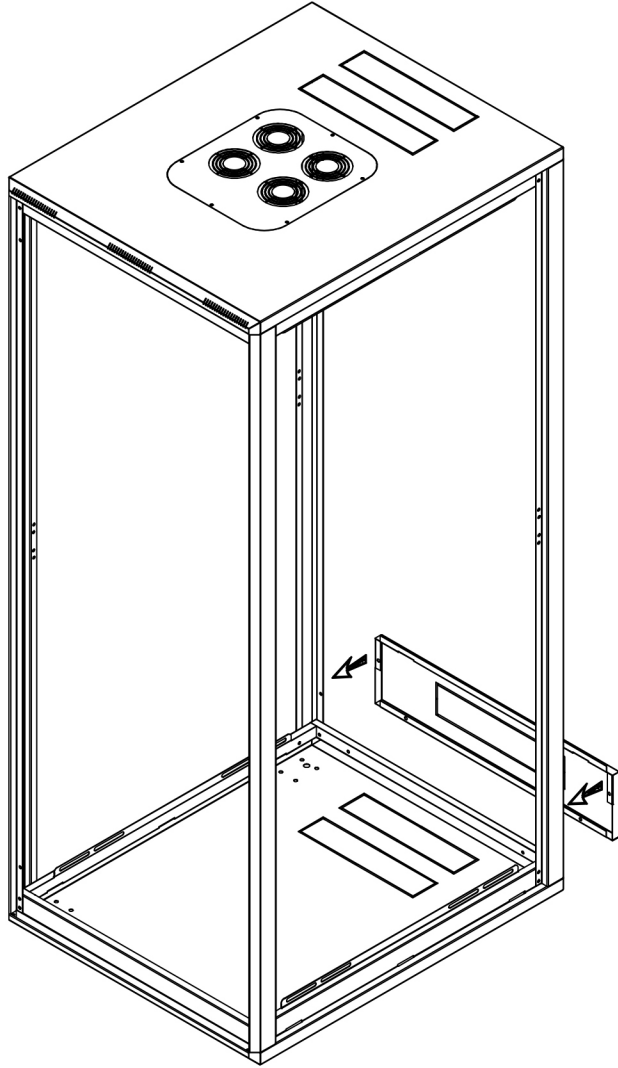
3 LENGHT  
PERPENDICULAR



Screw the four uprights (Y-Y and Z-Z) to the sub-base one by one as shown in the details.  
Screw the upper ceiling in the same way at all four corners.

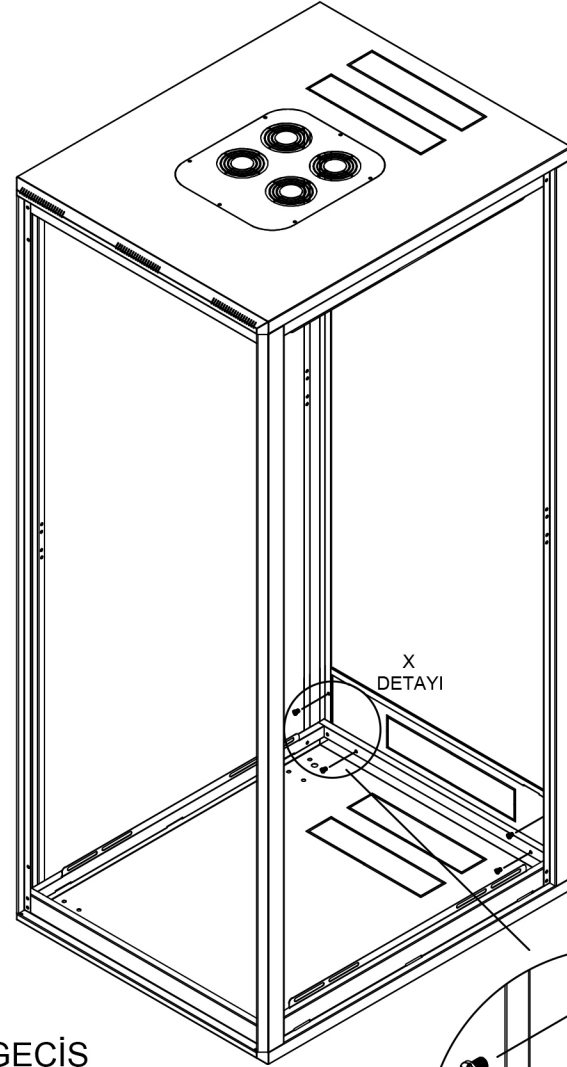
Note: Cabin according to your request. You can mount it vertically or horizontally.

2



5

KABLO GEÇİŞ



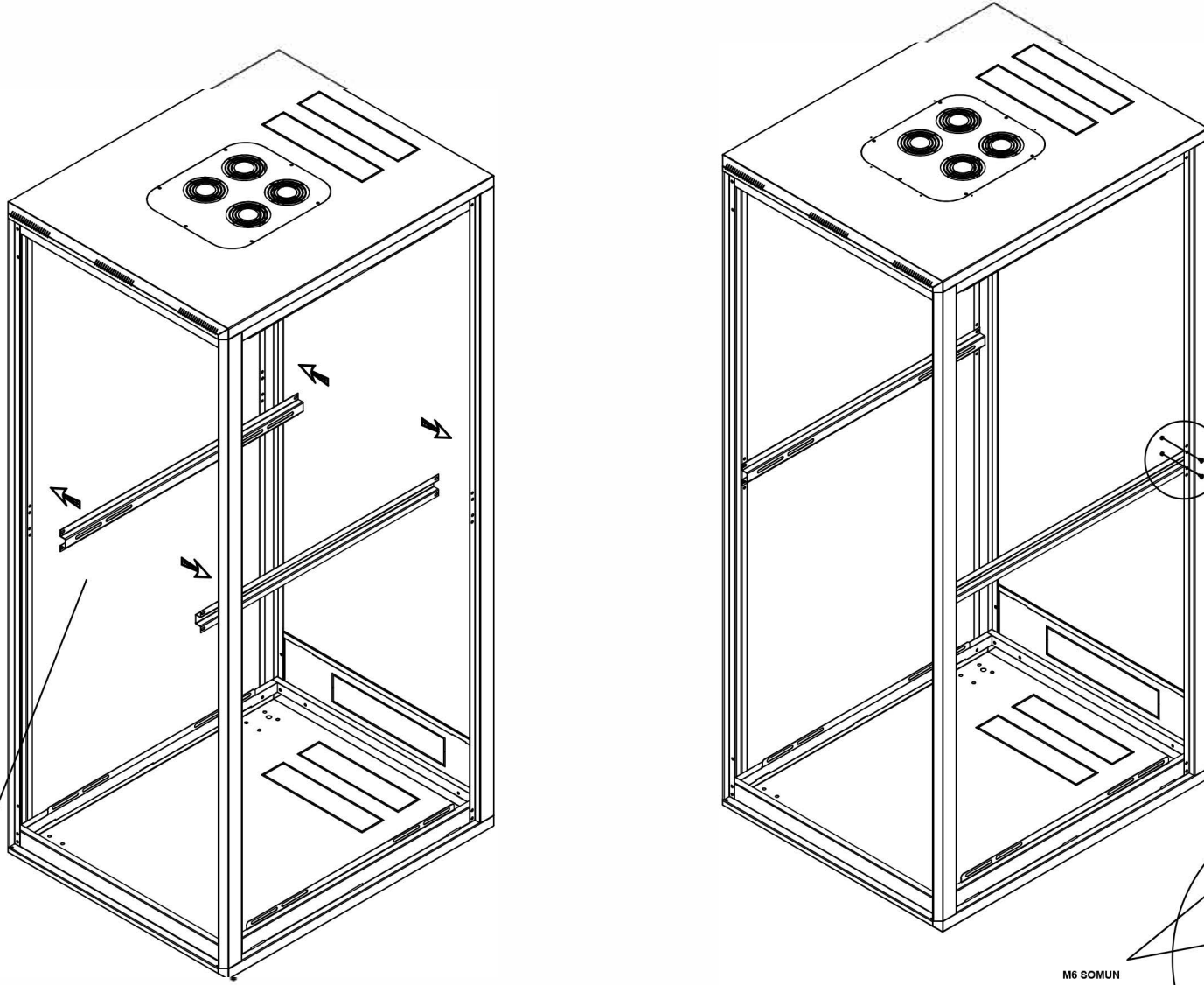
X  
DETAYI

M5X15 YSB  
CIVATA

X-X  
DETAYI

*Kablo geiř kapagını (X-X) detayında gösterildiđi řekilde uygun vida ile vidalayınız.  
Her iki tarafada aynı iřlemi uygulayınız.*

3



6 SIDE DEPTH WEFTI

Screw the side depth weft (V-V) with the appropriate screw and nut as shown in detail. Make the other sides of the side depth scarf in the same way.

*Note: Side depth weft is used in 34U and above cabins.*

M6 SOMUN

V  
DETAYI

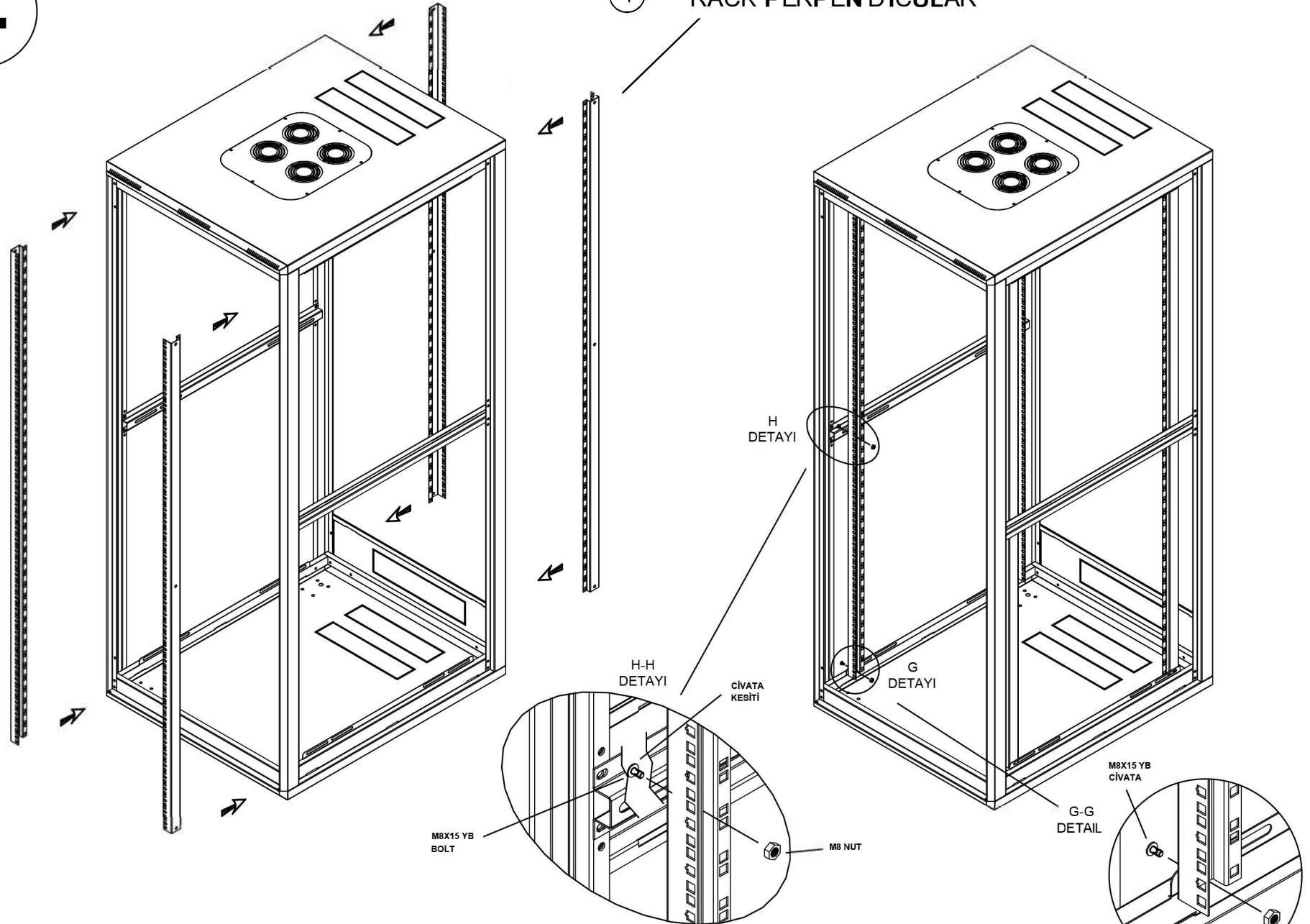
M6X15 YB  
CIVATA

V-V  
DETAIL

4

4

### RACK PERPEN DICULAR

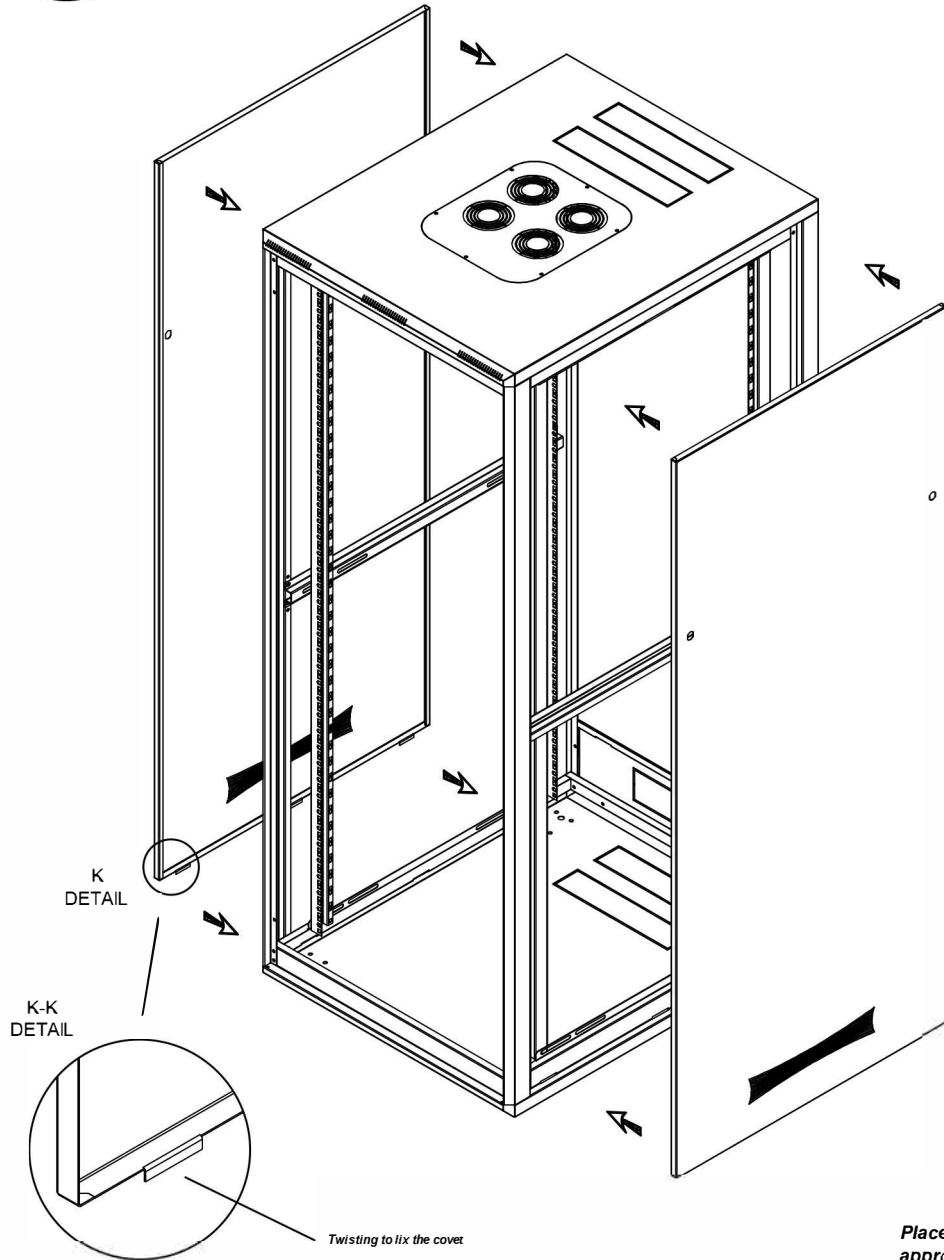


Screw the rack uprights to the side depth weft (H-H) with the appropriate bolt and nut as shown in detail. Do the same for the other corners.

Screw the rack uprights (G-G) to the lower floor and upper ceiling with the appropriate bolt and nut as shown in detail. Do the same for the other corners.

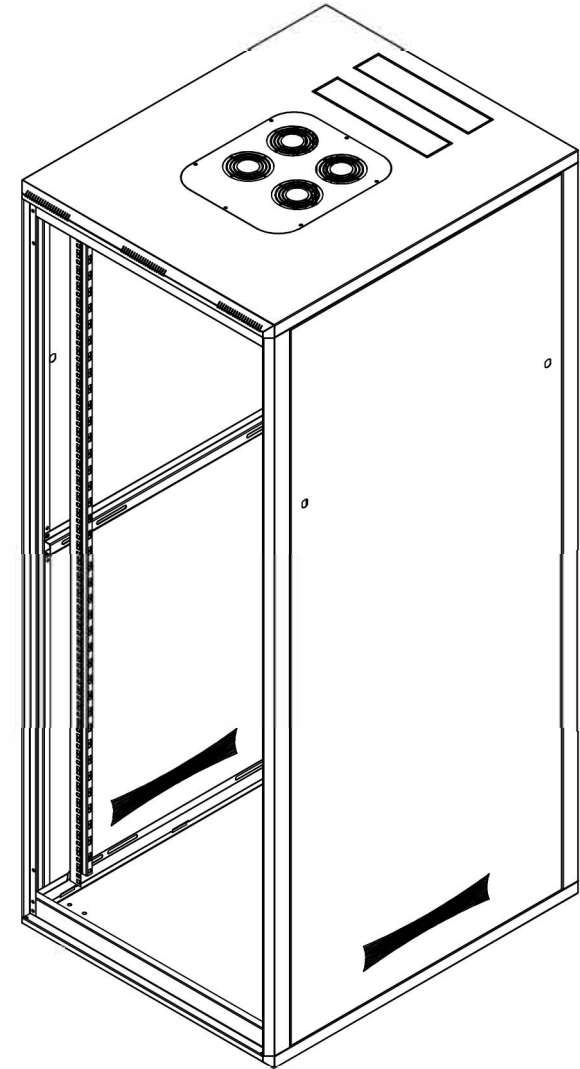
Note: Side depth weft is used in 34U and above cabins.

5



7

SIDE COVER



Place the cover fixing twists shown in detail (K-K) at the bottom of the side covers into the appropriate slots in the lower base. Then you can do the locking process.

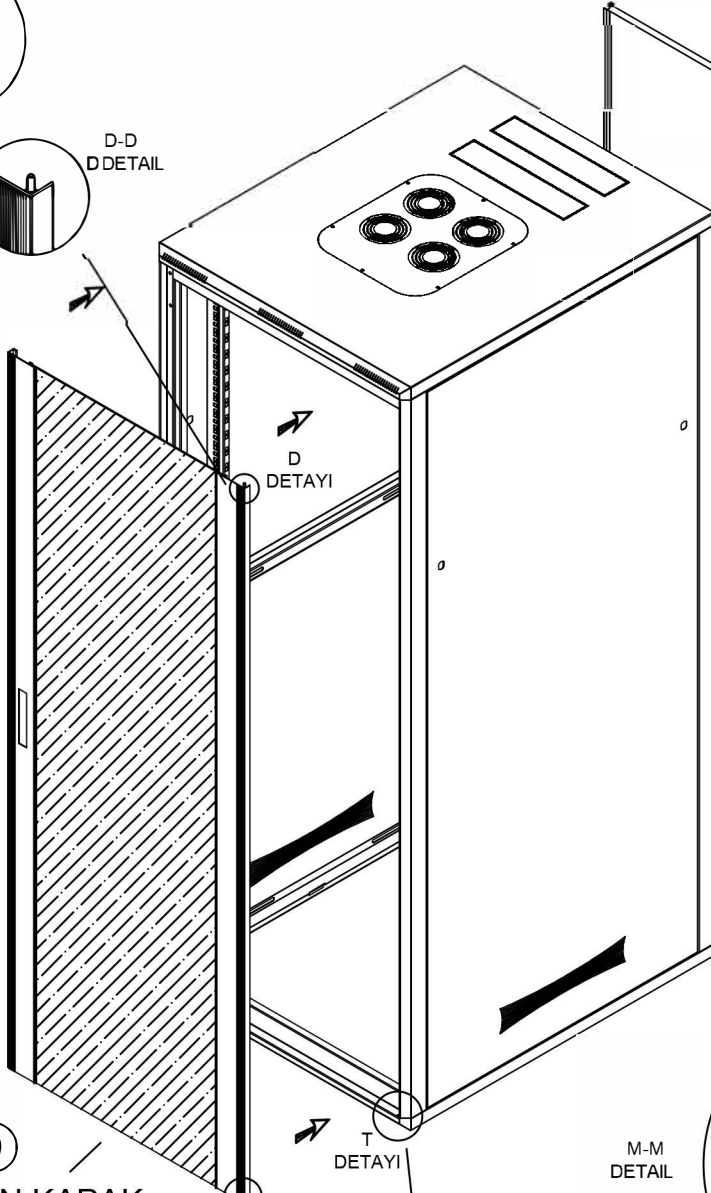
6

Pull down the spring pin and insert it into the pin hole in the upper ceiling as detailed on the upper part (D-D) of the Glazed or Perforated front coverk

8 BACK COVER

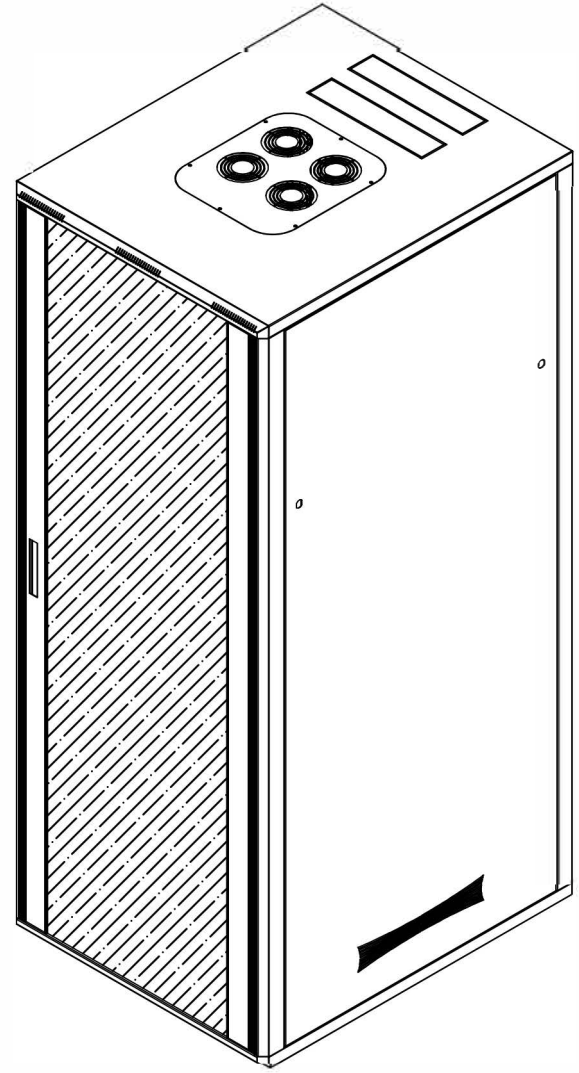


D-D  
D DETAYI



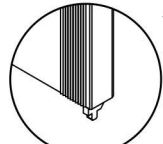
8

M  
M DETAIL



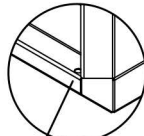
9

CAMLI ÖN KAPAK



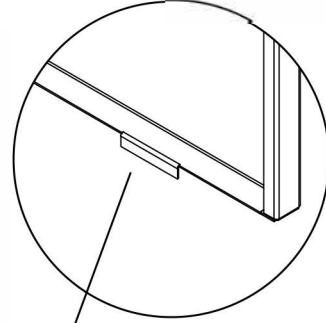
F-F  
DETAYI

F  
DETAYI



T-T  
DETAYI

Pin hole where the glass front cover will be placed in the lower base



M-M  
DETAYI

Twist to fix the covet

Place the snap pin of the cover shown in detail (F-F) on the lower part of the glass or perforated front cover into the appropriate hole in the lower basek